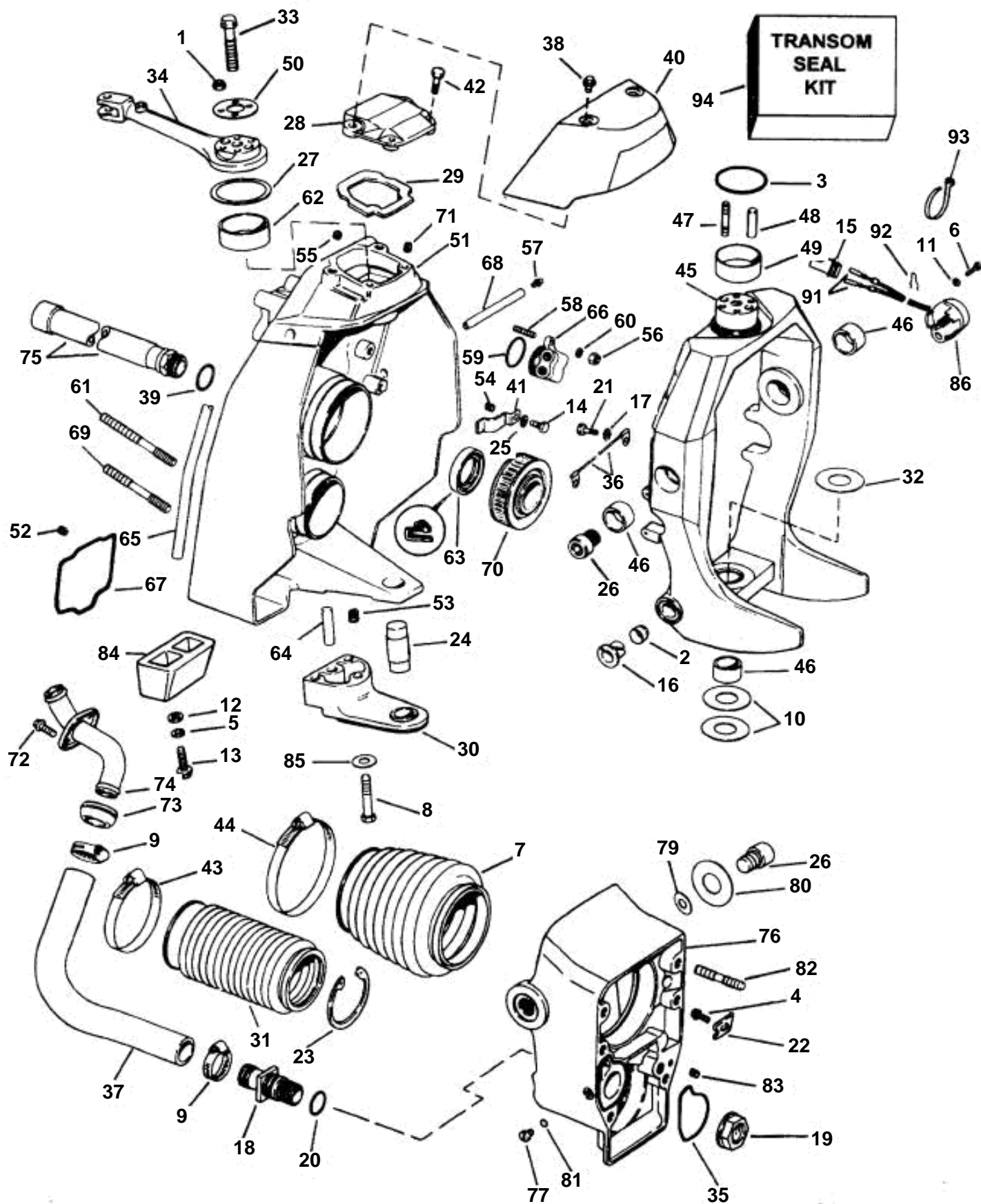


TRANSOM SHIELD



TRANSOM SHIELD

| REF | PART NO. | QTY | DESCRIPTION | SEE SEC. | NOTES |
|-----|----------|-----|-----------------------------------|----------|--------------------------|
| 1 | 3852004 | 4 | Lock nut, Steering arm stud | | |
| 2 | 3853424 | 2 | Grommet, Pivot pin | | |
| 3 | 3852044 | 1 | O-ring, Upper gimbal | | Part of transom seal kit |
| 4 | 3852006 | 1 | Screw, Shift cable retainer | | |
| 5 | 3852061 | 2 | Washer, Anode | | |
| 6 | 3852081 | 2 | Screw, Trim sender | | |
| 7 | 3854127 | 1 | Bellows, U joint | | |
| 8 | 3852151 | 3 | Screw, Support housing | | |
| 9 | 3852602 | 2 | Clamp, Water hose | | |
| 10 | 3852557 | X | Thrust washer | | |
| 11 | 3853458 | 2 | Washer, Trim sender | | |
| 12 | 3852191 | 2 | Washer, Anode | | |
| 13 | 3852192 | 2 | Screw, Anode | | |
| 14 | 3852201 | 2 | Screw, Oil line retainer | | |
| 15 | 3853564 | 1 | Connector, Sending unit | | |
| 16 | 3853423 | 2 | Bushing, Pivot pin | | |
| 17 | 3852193 | 2 | Washer, Ground strap | | |
| 18 | 3852533 | 1 | Nipple, Water inlet | | |
| 19 | 3852534 | 1 | Nut, Nipple | | |
| 20 | 3852535 | 1 | O-ring, Nipple | | Part of transom seal kit |
| 21 | 3852050 | 2 | Screw, Ground strap | | |
| 22 | 3852313 | 1 | Retainer, Shift cable | | |
| 23 | 3852665 | 1 | Retainer, Exhaust boot | | |
| 24 | 3852728 | 1 | Shaft, Steering pivot | | |
| 25 | 3852191 | 2 | Washer, Oil line clamp | | |
| 26 | 3852316 | 2 | Screw, Gimbal to pivot | | |
| 27 | 3852554 | 1 | Thrust washer, Steering arm | | |
| 28 | 3854246 | 1 | Cap | | |
| 29 | 3852677 | 1 | · Gasket, Cap | | Part of transom seal kit |
| 30 | 3852380 | 1 | Bracket | | |
| 31 | 3850426 | 1 | Rubber bellows, Exhaust | | |
| 32 | 3852557 | 1 | Thrust washer, Lower gimbal | | Part of transom seal kit |
| 33 | 3852591 | 1 | Screw, Steering arm | | |
| 34 | 3852379 | 1 | Spindle arm | | |
| 35 | 3852560 | 1 | Seal, Water passage | | Part of transom seal kit |
| 36 | 3853929 | 1 | Ground cable, Pivot housing | | |
| 37 | 3852352 | 1 | Hose, Water inlet | | |
| 38 | 3852682 | 2 | Screw, Cover | | |
| 39 | 3852537 | 1 | O-ring, Sleeve & connector | | Part of transom seal kit |
| 40 | 3855005 | 1 | Cover | | |
| 41 | 3852354 | 2 | Clamp, Oil line | | |
| 42 | 3852473 | 2 | Screw, Cap to gimbal | | |
| 43 | 3852603 | 1 | Clamp, Exhaust | | |
| 44 | 3852604 | 1 | Clamp, U-joint bellows | | |
| 45 | 3854863 | 1 | Suspension fork | | |
| 46 | 3852544 | 3 | · Bearing, Steering & tilt | | |
| 47 | 3852588 | | · Stud | | |
| 48 | 3852545 | 2 | · Locating pin, Steering arm | | |
| 49 | 3852571 | 1 | · Sleeve, Gimbal | | |
| 50 | 3852585 | 1 | Plate, Steering arm | | |
| 51 | 3855352 | 1 | Housing | | |
| 52 | 3852953 | 4 | · Thread insert, Exhaust pipe | | |
| 53 | 3852515 | 3 | · Thread insert, Steering support | | |
| 54 | 3852513 | 2 | · Thread insert, Retainer | | |
| 55 | 3852567 | 2 | · Thread insert, Steering cover | | |
| 56 | 3852005 | 1 | · Nut, Manifold block | | |
| 57 | 3852121 | 1 | · Fitting | | |
| 58 | 3852141 | 1 | · Stud, Manifold block | | |
| 59 | 3852169 | 1 | · O-ring, Manifold block | | Part of transom seal kit |
| 60 | 3852193 | 1 | · Washer, Manifold block | | |
| 61 | 3852546 | 4 | · Stud, Transom, long | | |
| 62 | 3852547 | 1 | · Bearing, Steering | | Part of transom seal kit |
| 63 | 3852548 | 1 | · Seal, Driveshaft | | Part of transom seal kit |
| 64 | 3852549 | 1 | · Pin, Steering support | | |

TRANSOM SHIELD

| REF | PART NO. | QTY | DESCRIPTION | SEE SEC. | NOTES |
|-----|----------|-----|---|-------------|--------------------------|
| 65 | 3852550 | 1 | · Seal, Transom | | Part of transom seal kit |
| 66 | 3852559 | 1 | · Block | | |
| 67 | 3852846 | 1 | · Seal, Exhaust pipe | | Part of transom seal kit |
| 68 | 3852564 | 1 | · Tube, Grease | | |
| 69 | 3852576 | 2 | · Stud, Transom, short | | |
| 70 | 3853807 | 1 | · Bearing, U-joint | | |
| 71 | 3852526 | 2 | · Thread insert | | |
| 72 | 3852454 | 2 | · Screw, Water tube | | |
| 73 | 3852556 | 1 | · Bushing, Water tube | | Part of transom seal kit |
| 74 | 3853880 | 1 | · Tube | | |
| 75 | 3850694 | 1 | Cable sleeve | | |
| 76 | 3855350 | 1 | Housing | | |
| 77 | 3852536 | 1 | · Plug, Water drain | | |
| 79 | 3852558 | 2 | · Thrust washer, Gimbal to pivot housing' | | Part of transom seal kit |
| 80 | 3852697 | 2 | · Thrust washer, Pivot screw | | |
| 81 | 3852523 | 1 | · O-ring, Plug | | Part of transom seal kit |
| 82 | 3852551 | 6 | · Stud, Pivot to gear housing | | |
| 83 | 3852514 | 1 | · Thread insert, Shift cable retainer | | |
| 84 | 3854130 | 1 | Zinc anod | | |
| | | | Bulletin P-44-1-1 | P-44-1-1-EN | Anodes, SX AND DP-S |
| 84 | 3855610 | | Magnesium anode | | |
| 85 | 3852155 | 1 | Washer, Steering support bracket | | |
| 86 | 3854842 | 1 | Sender | | |
| 91 | 3852257 | 2 | · Cable terminal, Socket | | |
| 92 | 3852555 | 1 | Retainer, Trim sender lead | | |
| 93 | 3852149 | 2 | Lock strap, Sender leads to oil line | | |
| 94 | 3854270 | 1 | Sealing kit | | |
| | 3854993 | 1 | Decal, Volvo Penta | | |